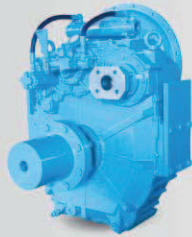


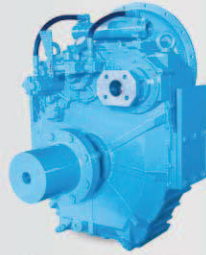
MARINE TRANSMISSION with LIVE PTO



DMTP 5100



DMTP 6500



DMTP 7500



DMTP 400H/HL

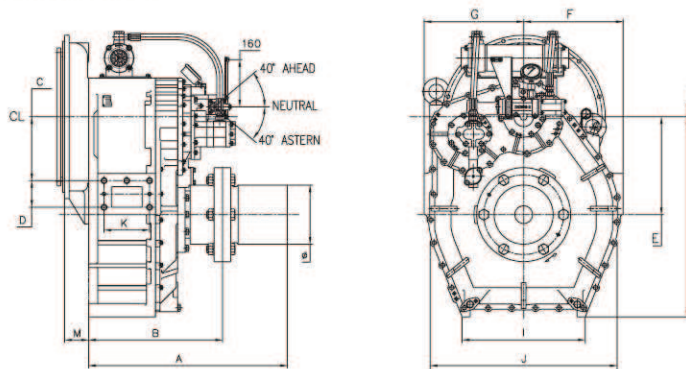


DMTP 550H/HL

● SPECIFICATIONS & CAPACITIES

MODEL NAME	Reduction Ratio	Max. Input (rpm)	Max. Input Torque (kgf · m)	Output Capacity (HP)			Live PTO Torque (kgf · m)	Dry weight (kg)	Standard Housing
				1600rpm	1800rpm	2100rpm			
DMTP 5100	1.47, 1.76, 1.93	2500	168	375	422	493		270	1, 2, 3
	2.48, 3.08		150	335	377	440			
	3.46		130	290	326	381			
DMTP 6500	5.11, 5.62, 5.91	2400	259	578	650	758		850	0, 1
	6.57, 6.95		239	533	600	700			
DMTP 7500	3.56	2300	298	666	750	875		700	0, 1
	4.13		292	653	735	857			
	4.59		286	640	720	840			
DMT 400H	1.43, 1.72, 2.03	2300	453	1,013	1,140	1,330		660	0, 1
	2.46		403	902	1,015	1,184			
	2.75		354	791	890	1,038			
DMT 550H	1.43, 1.72, 2.03	2300	557	1244	1400	1633		695	0, 1
	2.46		517	1154	1300	1515			
	2.75		443	989	1115	1298			
				1400rpm	1600rpm	1800rpm			
DMT 400HL	3.02, 3.28, 3.56, 4.07	2300	453	887	1013	1140		750	0, 1
	4.48, 4.95		374	731	836	940			
DMT 550HL	3.02, 3.28, 3.56, 4.07	2300	550	1075	1229	1383		830	0, 1
	4.48		532	1041	1190	1339			
	4.95		479	938	1072	1206			

➤ INSTALLATION DIMENSIONS



MODEL NAME	A	B	C	D	E	F	G	H	I	J	K	L	M	Ø
DMTP5100	531.3	391.3	-15	50	195	390	270	250	206	383	100	133	-23.4	150
DMTP6500	777	527	-290	200	415	842	440	440	448	756.2	200	282	-53	220
DMTP7500	683	463	-219	200	319	634	330	330	435.8	616	160	254.8	16.3	200
DMT 400H	705.5	505.5	+35	90	235.9	450	360	360	266	436	160	233.4	23.2	190
DMT 400HL	781.6	531.6	-207.5	200	357.5	698	360	360	368	641	170	233.4	23.2	220
DMT 550HL	801.6	551.6	-207	200	357.5	698	360	360	368	641	170	233.4	23.2	220